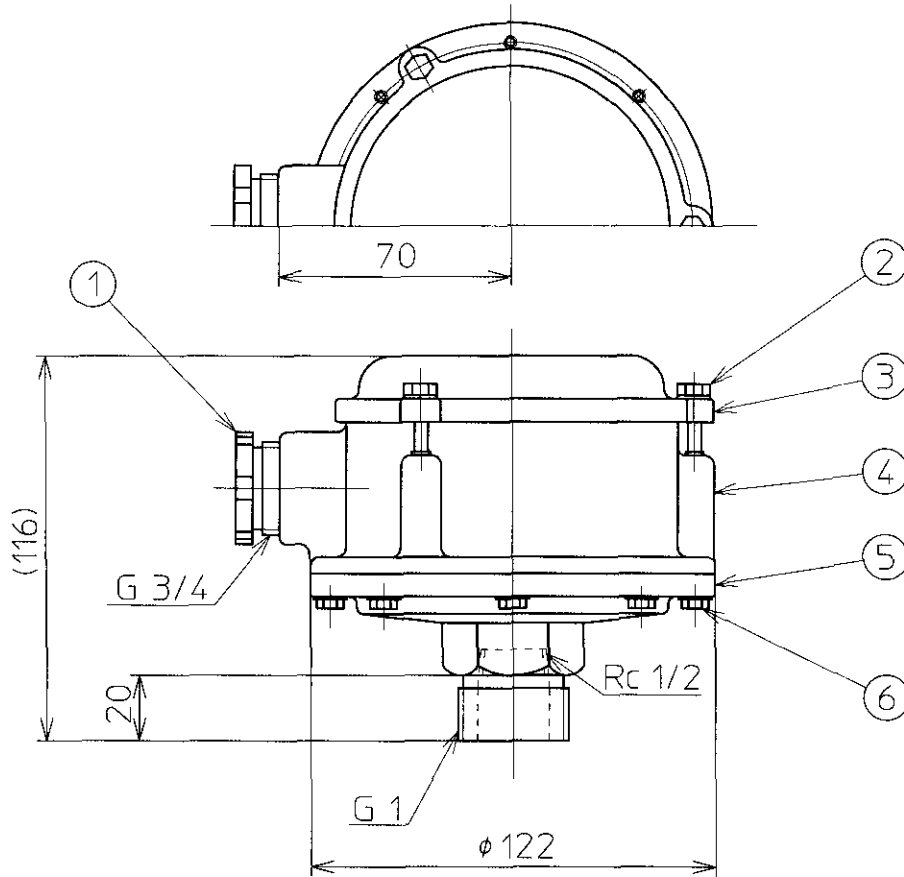


REVISIONS				
REV	DATE	DESCRIPTION	BY	APP. BY
△				
△				
△				

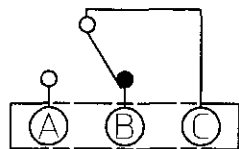


Diaphragm : CR

Cable Inlet : JIS F 20a (G 3/4)

Contact capacity	250 V 5 A AC
(Resistive load)	250 V 0.25 A DC
Operating point	80±10 mm (1/2 B l=300 Pipe)
Release point	60±15 mm (1/2 B l=300 Pipe)

Internal Circuit



6	Bolt	8	Stainless steel
5	Chamber	1	Aluminium die casting (ADC12)
4	Housing	1	Aluminium die casting (ADC12)
3	Cover	1	Aluminium die casting (ADC12)
2	Cover bolt	3	304 Stainless steel
1	Cable gland	1	Brass (C3604BD, Nickel plating)
P.No.	Name	Qty.	Material

DATE 2004-06-08	DR. BY <i>[Signature]</i>
SCALE N.T.S.	CH. BY <i>[Signature]</i>
UNITS MILLIMETERS	APP. BY <i>J. Kawahita</i>

TITLE OUTLINE DRAWING OF PNEUMATIC LEVEL SENSOR

MODEL FP-1A

**NOHKEN**

**NOHKEN INC.**  
OSAKA, JAPAN

DRAWING NO.

AS 004308△